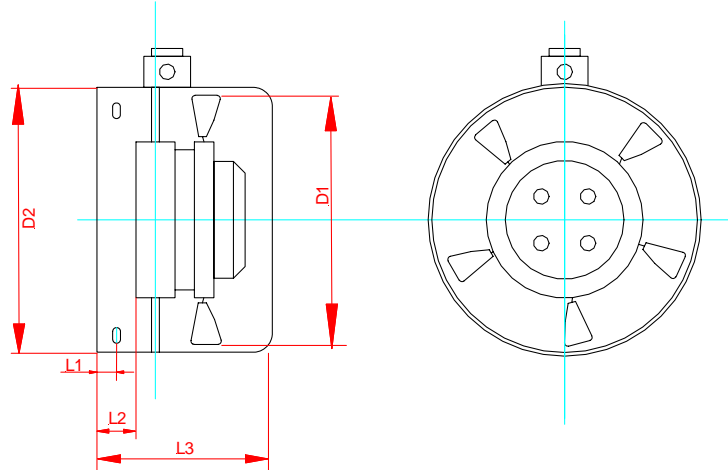


WEM STANDARD FORCE VENTILATIONS FANS



FORCE VENTILATION FAN OUTLINE DRAWING AND MOUNTING DIMENSIONS										
FAN COWL TYPE	D1	D2	L1	L2	L3	POWER (w)	SPEED rpm	BLAST VOLUME m ³ /h	FULL PRESSURE Pa	NOISE dB (a)
G80A	150	155	16	48	180	30	2300	330	70	62
G90A	170	175	12	48	180	52	2800	200	80	65
G100A	186	197	18	48	190	52	2800	660	82	67
G112A	200	220	25	51	210	52	2800	900	90	70
G132A	250	258	20	55	220	40	1300	780	50	70
G160A	300	315	24	92	260	80	1350	1300	50	70
G180A	300	356	43	118	290	80	1350	1300	55	70
G200A	380	393	44	120	345	150	1350	2400	100	70
G225A	400	446	50	141	350	200	1350	4200	150	74
G250A	460	482	60	158	370	200	1350	4200	150	77
G280A	520	548	74	167	455	320	1250	5000	150	77
G315A	580	614	80	175	500	370	1250	6200	180	80
G355A	680	720	120	195	590	500	900/1350	4700/6500	80/180	75/82
G400A	720	860	206	200	760	600	900	4850	80	77

Note: Motors available in 380V and 525V.

