

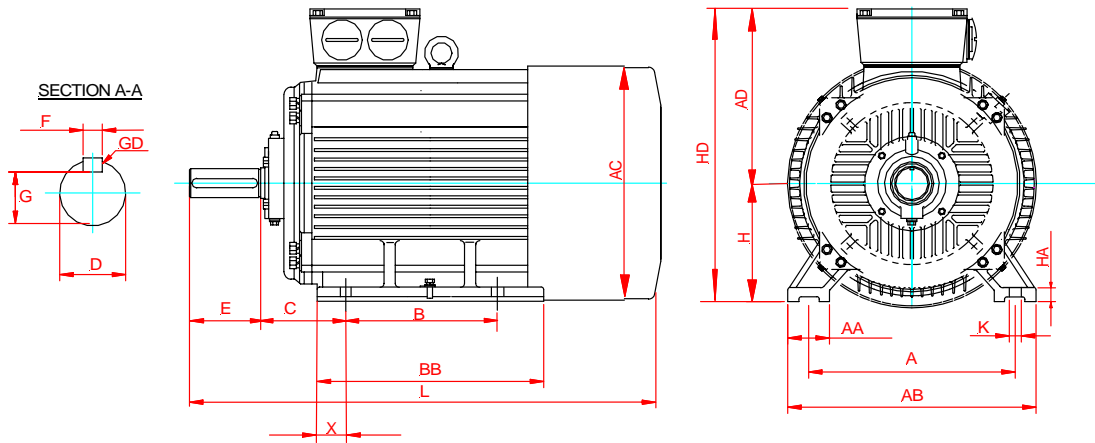
INDUSQUIP MARKETING CC



ELECTRIC MOTORS & DRIVES



WEM STANDARD HIGH EFFICIENCY 2 MOTORS - CEMEP



FOOT MOUNTING B3 63-200 FRAME

THREE PHASE INDUCTION MOTORS

DIMENSIONS (mm)

FRAME	POLE	A	AA	AB	AC	AD	B	BB	C	D	E	F	G	GD	H	HA	HD	K	L	X
63	2.4	100	30	130	120	117	80	110	40	11j6	23	4	8.5	4	63	8	180	7	230	15
71	2.4.6	112	32	144	120	124	90	110	45	14j6	30	5	11	5	71	8	195	7	255	15
80	2.4.6.8	125	34	160	136	140	100	140	50	19j6	40	6	15.5	6	80	10	220	10	295	15
90S	2.4.6.8	140	36	180	156	160	100	140	56	24j6	50	8	20	7	90	12	250	10	320	20
90L	2.4.6.8	140	36	180	176	160	125	165	56	24j6	50	8	20	7	90	12	250	10	345	20
100L	2.4.6.8	160	40	200	176	170	140	176	63	28j6	60	8	24	7	100	14	270	12	385	18
112M	2.4.6.8	190	52	230	196	188	140	185	70	28j6	60	8	24	7	112	15	300	12	400	20
132S	2.4.6.8	216	55	270	230	213	140	186	89	38j6	80	10	33	7	132	18	345	12	470	23
132M	2.4.6.8	216	55	270	260	213	178	230	89	38j6	80	10	33	8	132	18	345	12	510	23
160M	2.4.6.8	254	65	320	324	260	210	275	108	42j6	110	12	37	8	160	20	420	15	615	25
160L	2.4.6.8	254	65	320	324	260	254	320	108	42j6	110	12	37	8	160	20	420	15	670	25
180M	2.4.6.8	279	70	355	355	275	241	310	121	48j6	110	14	42.5	9	180	22	455	15	700	35
180L	2.4.6.8	279	70	355	355	275	279	350	121	48j6	110	14	42.5	9	180	22	455	15	740	35
200L	2.4.6.8	318	70	395	397	305	305	370	133	55j6	110	16	49	10	200	25	505	19	770	32

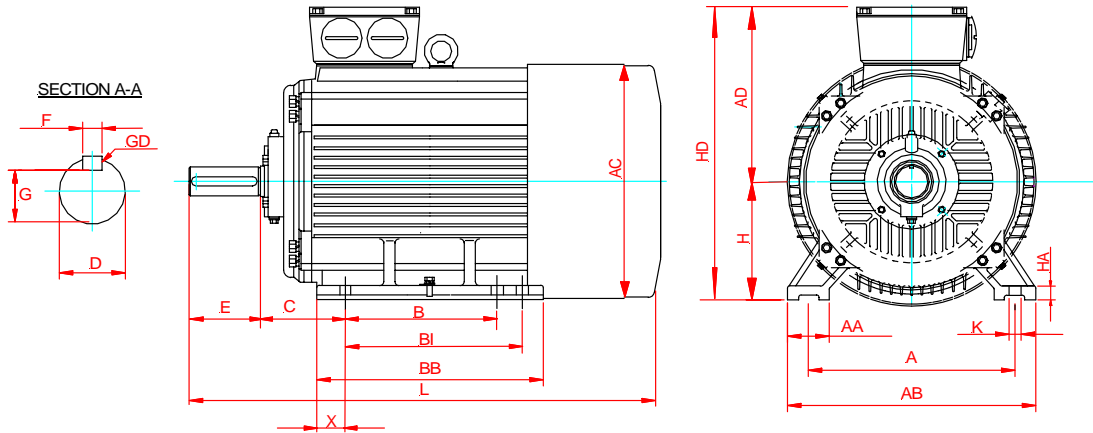
INDUSQUIP MARKETING CC



ELECTRIC MOTORS & DRIVES



WEM STANDARD HIGH EFFICIENCY 2 MOTORS - CEMEP



FOOT MOUNTING B3 225-355 FRAME

THREE PHASE INDUCTION MOTORS

DIMENSIONS (mm)

FRAME	POLE	A	AA	AB	AC	AD	B	B1	BB	C	D	E	F	G	GD	H	HA	HD	K	L	X
225S	4.8	356	75	431	445	330	286	N/A	368	149	60m6	140	18	53	11	225	28	555	19	816	45
225M	2	356	75	431	445	330	286	311	393	149	55m6	110	16	49	10	225	28	555	19	820	45
225M	4.6.8	406	80	490	485	365	286	311	393	168	60m6	140	18	53	11	250	33	615	24	845	55
250M	2	406	80	490	485	365	311	349	455	168	60m6	140	18	53	11	250	33	615	24	910	55
250M	4.6.8	457	85	542	547	400	311	349	455	190	70m6	140	20	62.5	12	280	38	680	24	910	75
280S	2	457	85	542	547	400	368	419	586	190	65m6	140	18	58	11	280	38	680	24	985	75
280S	4.6.8	457	85	542	547	400	368	419	586	190	80m6	170	22	71	14	280	38	680	24	1015	75
280M	2	457	85	542	547	400	368	419	586	190	65m6	140	18	57	11	280	38	680	24	1035	75
280M	4.6.8	457	85	542	547	400	368	419	586	190	80m6	170	22	71	14	280	38	680	24	1065	75
315S	2	508	120	628	620	530	406	457	570	216	65m6	140	18	58	11	315	45	845	28	1215	84
315S	4.6.8.10	508	120	628	620	530	406	457	570	216	85m6	170	22	76	14	315	45	845	28	1245	84
315M	2	508	120	628	620	530	406	457	570	216	65m6	140	18	58	11	315	45	845	28	1325	84
315M	4.6.8.10	508	120	628	620	530	406	457	570	216	85m6	170	22	76	14	315	45	845	28	1355	84
315L1	2	508	120	628	620	530	457	508	680	216	70m6	140	20	62.5	12	315	45	845	28	1325	84
315L1	4	508	120	628	620	530	457	508	680	216	90m6	170	25	81	14	315	45	845	28	1355	84
315L1	6.8.10	508	120	628	620	530	457	508	680	216	85m6	170	22	76	14	315	45	845	28	1355	84
315L2	2	508	120	628	620	530	457	508	680	216	70m6	140	20	62.5	12	315	45	845	28	1325	84
315L2	4.6.8	508	120	628	620	530	457	508	680	216	90m6	170	25	81	14	315	45	845	28	1355	84
355M1	2	610	120	726	700	635	560	630	750	254	90m6	170	25	81	14	355	52	1010	28	1530	68
355M1	4.6.8.10	610	120	726	700	635	560	630	750	254	100m6	210	28	90	16	355	52	1010	28	1570	68
355M2	2	610	120	726	700	635	560	630	750	254	90m6	170	25	81	14	355	52	1010	28	1530	68
355M2	4.6.8.10	610	120	726	700	635	560	630	750	254	100m6	210	28	90	16	355	52	1010	28	1570	68
355M3	6	610	120	726	700	635	560	630	750	254	100m6	210	28	90	16	355	52	1010	28	1570	68
355L1+2	2	610	120	726	700	635	560	630	750	254	90m6	170	25	81	14	355	52	1010	28	1530	68
355L1+2	4.6.8.10	610	120	726	700	635	560	630	750	254	100m6	210	28	90	16	355	52	1010	28	1570	68

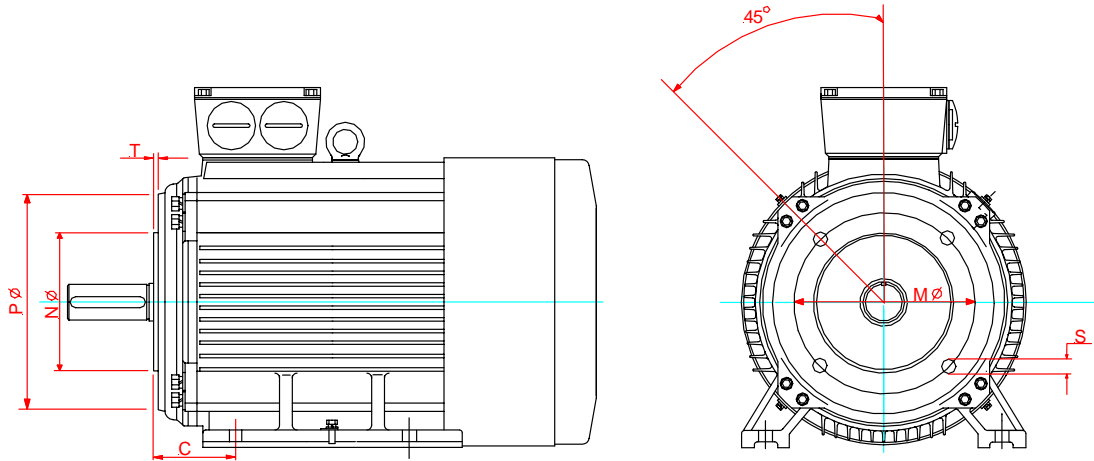
INDUSQUIP MARKETING CC



ELECTRIC MOTORS & DRIVES



WEM STANDARD HIGH EFFICIENCY 2 MOTORS - CEMEP



FOOT MOUNTING B3 AND B14 FLANGE

MOTOR MOUNTING ASSEMBLY B3/B5

FRAME	FLANGE	C	M Dia.	N Dia.	P Dia.	S	T	NO. OF HOLES
63	90	40	75	60	90	M5	2.5	4
71	105	45	85	70	105	M6	2.5	4
80	120	50	100	80	120	M6	3	4
90S	140	56	115	95	140	M8	3	4
90L	140	56	115	95	140	M8	3.5	4
100L	160	63	130	110	160	M8	3.5	4
112M	160	70	130	110	160	M8	3.5	4
132S	200	89	165	130	200	M8	3.5	4
132M	200	89	165	130	200	M10	3.5	4

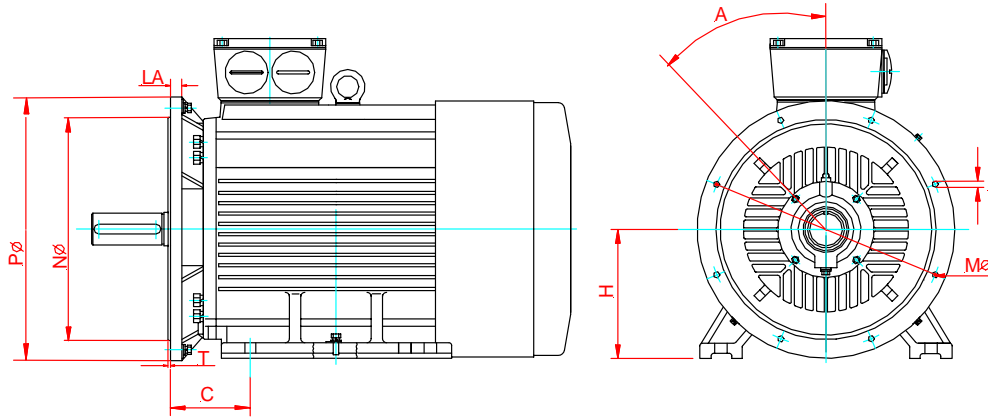
INDUSQUIP MARKETING CC



ELECTRIC MOTORS & DRIVES



WEM STANDARD HIGH EFFICIENCY 2 MOTORS - CEMEP



FOOT MOUNTING B3 AND B5 FLANGE

MOTOR MOUNTING ASSEMBLY B3/B5

METRIC FLANGE DIMENSIONS											
FRAME	FLANGE	C	H	LA	M Dia.	N Dia.	P Dia.	T	S	A ANGLE Deg.	NO. OF HOLES
63	115	40	63	6	115	95	140	3.5	10	45	4
71	130	45	71	9	130	110	160	3.5	10	45	4
80	165	50	80	10	165	130	200	3.5	12	45	4
90S	165	56	90	10	165	130	200	3.5	12	45	4
90L	165	56	90	10	165	130	200	3.5	12	45	4
100L	215	63	100	11	215	180	250	4	15	45	4
112M	215	70	112	11	215	180	250	4	15	45	4
132S	265	89	132	12	265	230	300	4	15	45	4
132M	265	89	132	12	265	230	300	4	15	45	4
160M	300	108	160	18	300	250	350	5	19	45	4
160L	300	108	160	18	300	250	350	5	19	45	4
180M	300	121	180	18	300	250	350	5	19	45	4
180L	300	121	180	18	300	250	350	5	19	45	4
200L	350	133	200	18	350	300	400	5	19	45	4
225S	400	149	225	18	400	350	450	5	19	22,30	8
225M	400	149	225	18	400	350	450	5	19	22,30	8
250M	500	168	250	18	500	450	550	5	19	22,30	8
280S	500	190	280	18	500	450	550	5	19	22,30	8
280M	500	190	280	18	500	450	550	5	19	22,30	8
315S	600	216	315	18	600	550	660	6	24	22,30	8
315M	600	216	315	22	600	550	660	6	24	22,30	8
315L1	600	216	315	22	600	550	660	6	24	22,30	8
315L2	600	216	315	22	600	550	660	6	24	22,30	8
355M1/2/3	740	254	355	22	740	680	800	6	24	22,30	8
355L1/2	740	254	355	22	740	680	800	6	24	22,30	8